

▶▶ SCANLAF

Compact clean-air cabinets for
product-, environment-, and operator protection or combinations



TITAN,
ATLAS & SIRIUS

SMALL, PORTABLE
economical cabinets

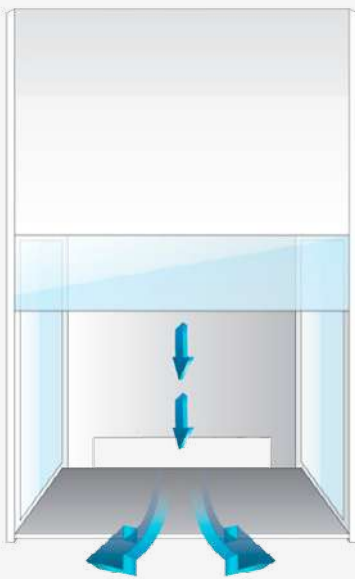
with low energy
consumption



LABOGENE™
.com

TITAN & TITAN PCR

The Titan & Titan PCR are true vertical laminar flow cabinets providing both sterility and portability, with ease of positioning on existing laboratory tables or benches. Taking only 63 cm of bench space the Titan can be easily re-located, removed and stored when not in use. Both models provide true laminar airflow with sterile air better than class 100, eliminating the risk of contamination of the samples and avoidance of any cross-contamination whilst working. Excellent lighting with clear side windows in polycarbonate makes the Titan an excellent work station both for the operators and your laboratory procedures.



TITAN & TITAN PCR OFFERS



DOWN FLOW

air speed fixed or adjustable from 0 to 0.6 m/s, the standard setting being 0.28 m/s



LOW ENERGY

consumption of less than 0.2 Amp



DIGITAL CONTROL

system combines safety, operator convenience and minimal energy usage



ENERGY SAVING

EC-blowers



EASY ACCESS

with high work opening of 40 cm and the low noise level less than 49 dBa



QUICK EASY

separation change of EU3 pre-filter



ADDITIONAL FEATURES OF THE TITAN-PCR INCLUDES

<ul style="list-style-type: none"> UV light control with timer and delay function 	<ul style="list-style-type: none"> White light with >700 lux illumination
<ul style="list-style-type: none"> Front closing screen with interlock, protects against UV exposure 	<ul style="list-style-type: none"> Hour counter

THE TITAN'S PROVIDE EXCEPTIONAL PERFORMANCE

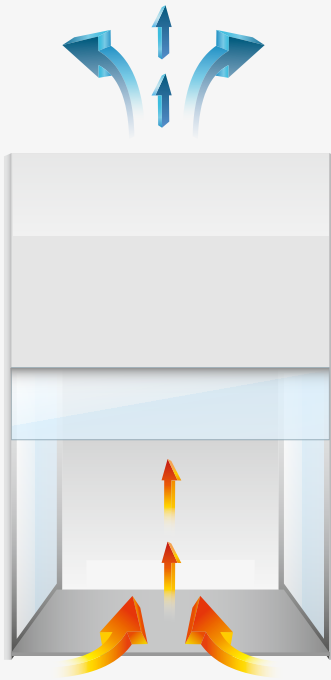
for many applications including microbiological work, cleansing the environment of allergens, the removal of particles down to 1 microns as required by the electronics and contact lens manipulation industries and many other applications where a clean air environment is essential.

TITAN PCR

with UV-light ensures deactivation of RNA/DNA contaminants within a few minutes and provides the Safest and most reliable way to achieve consistent results during daily PCR procedures.

ATLAS BASIC, PRO OR DUCT

The Atlas "family" is a range of compact safety cabinet work stations providing true operator safety with built-in exhaust fans and HEPA filter-H14 on the exhaust for safe handling and working with chemicals and powders. The Atlas range gives full protection to the operator, laboratory surroundings and also the environment with an air in flow from 0.4-0.7 m/s.



THE ATLAS "FAMILY"

The safest choice for your laboratory, that provides an ideal safe working environment for the operator with low energy consumption and minimal carbon footprint.

EASY ACCESS
High work opening of 40cm, low noise level of less than 49 dBa

AIR
inflow of 0.4-0.7m/s

LOW ENERGY
consumption with digital control and low operating costs < 0.4amp

STAINLESS STEEL
High quality work tops for long life and easy cleaning

AUTO START/STOP
for operator convenience and safety

PIR SENSOR
reduced Speed not attended - full speed in operation

GLASS WINDOWS
for operator comfort & supervision

PRACTICALITY
Easy to clean and to position

EXCELLENT ILLUMINATION
Interior lightning better than 700lux complimented by clear side windows



ATLAS BASIC

is designed for recirculation to the room with only a carbon filter installed for removal of all organic compounds (no HEPA fitted). The advanced digital controller gives a display of operating time (hours), visual and audible alarms for power failure and incorrect exhaust air speed.



ATLAS PRO

is designed for recirculation to the room with both HEPA and carbon filter filtration allows working with both powder materials and organic solvents, giving full operator protection in both applications. The advanced digital controller gives a display of operating time (hours), visual and audible alarms for power failure and incorrect exhaust air speed.

ATLAS DUCT

model is designed for connection to an external extract system - the internal fan ensuring full operational safety should any external ventilation system in the laboratory be switched off or non-operational. When connected to an external extract system the Atlas Duct can be safely used for work with organic solvents or powders and includes a direct communication link for the extract systems operation. An optional 3rd sensor fitted for indication of insufficient pressure drop in the exhaust duct, thus giving the operator maximum safety conditions at all times.



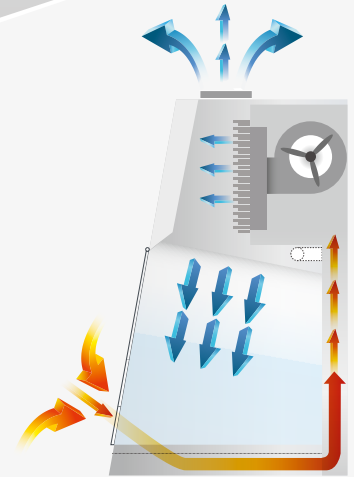
OPTIONS

9.001.020.127	USB port for communication and with computer inclusive software package in Excell
9.001.020.114	Minihelic mounted on the backwall for guidance of safety
9.001.000.087	PIR-sensor -actuates fan automatically to full speed and light upon any movement
9.000.050.325	Flow sensor for air speed control
9.001.020.201	Signals for external ventilation system including potential-free contact
9.001.020.202	3-sensor option with pressure switch requires - Signals for external ventilation
9.000.050.335	Pressostat for measuring pressure drop over HEPA-filter

PRODUCTS	HEPA FILTER	CARBON FILTER	ANTI BLOW BACK VALVE+SIGNAL PCB	EXTRACT FAN
ATLAS BASIC	✓	✗	✗	✓
ATLAS PRO	✓	✓	✗	✓
ATLAS DUCT	✓	✗	✓	✓

SIRIUS CLASS II

The Sirius is a "true" Class 2 Vertical Laminar Flow Safety Cabinet giving full operator protection and sterility to EN12469:2000. It is available with a full work opening of 20 cm giving an easy access to the work area or alternatively fitted with a front screen with access port holes which enhances operator protection, whilst at the same time conserving energy. True laminar sterile air flow, exceeding class 100, eliminates the risk of contamination of the samples and minimises any cross contamination possibilities.



THE SIRIUS IS THE IDEAL CABINET

For Cell Culture, Microbiology and Cytotoxic applications offering full security, sterility and practicality with easy operation and maintenance, exemplified by the removability of the inner rear wall for cleaning or sterilisation.



EASY ACCESS

with high work opening, low noise level and excellent lighting conditions



UNIQUE LAMINATOR

guarantees true laminar air flow and positioning or removal of equipments



AUTO START/STOP

for operator convenience and safety



LOW ENERGY

consumption together with a digital control system ensures extended HEPA filter life-time

MAXIMUM OPERATOR SAFETY

<ul style="list-style-type: none"> Down flow and exhaust airflow speeds are indicated on the easy to read display 	<ul style="list-style-type: none"> Optional 3rd sensor can be fitted to measure insufficient pressure drop in the extract/exhaust duct (if connected to an external ducting system)
<ul style="list-style-type: none"> Visual and audible alarms to indicate high and low air flow situations 	<ul style="list-style-type: none"> Negative pressure surrounding the HEPA avoids any possibilities of leaks

OPTIONS

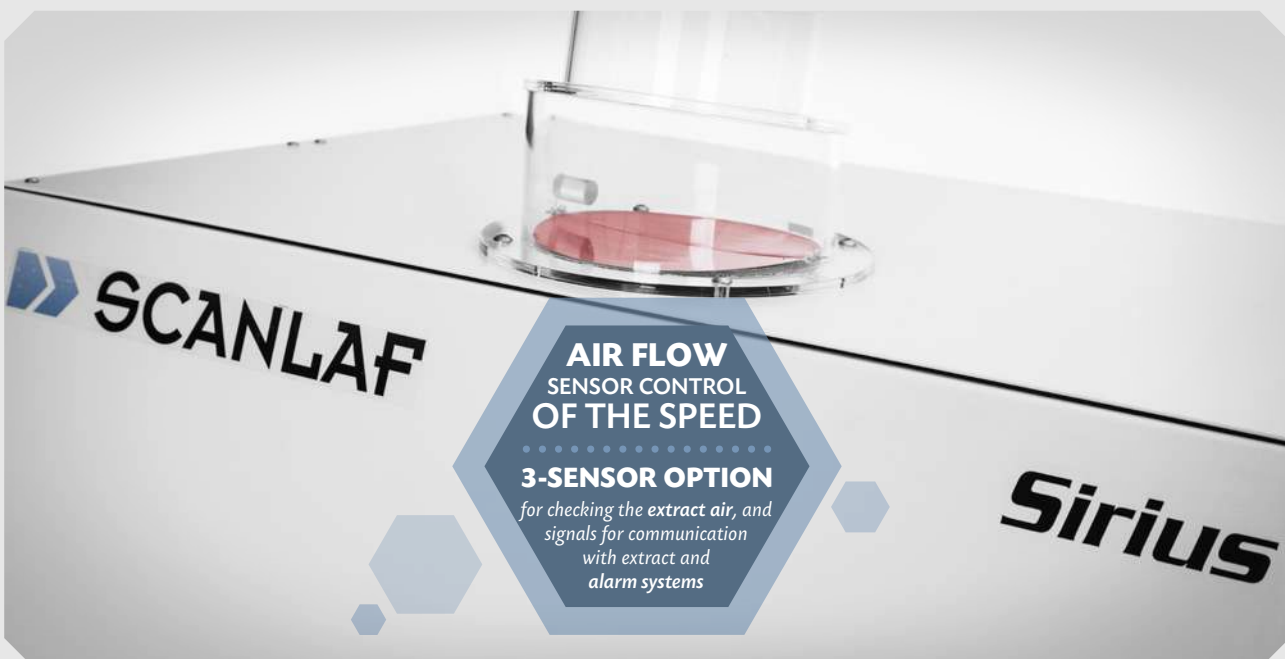
<ul style="list-style-type: none"> PIR sensor allows operation at reduced speed when unattended, maintains the cabinets integrity, Full operation when operator inserts his hands into the working aperture 	<ul style="list-style-type: none"> Electrical elevation support stand 75-105 cm ergonomically correct for operator posture, for either a sitting or standing position whilst working
<ul style="list-style-type: none"> Carbon filter system for removal of organics, when cabinet is re-circulating back into the lab 	<ul style="list-style-type: none"> USB port for data communication and supervision

ACCESSORIES & BESPOKE FITTINGS

9.001.000.071	Fixed support stand 90 cm working height for Sirius	
9.001.000.072	Anti blow back kit for ducting connection	Gives visual indication of air flow
9.001.000.080	UV light mounted on rear wall	Maximises sterility/cleanliness of work surface
9.001.000.081	Electrical support stand 750 - 1050	
9.001.000.082	Sink built into the table top	Takes up to one litres incl. drain tap
9.001.000.093	EL-outlet inside the chamber	
9.001.000.097	Carbon filter	Mounted on exhaust with extra blower

MICROPROCESSORS

9.001.020.127	USB port	For communication and with computer inclusive software package in Excell
9.001.020.114	Minihelic mounted on the rear wall	For guidance of safety
9.001.000.087	PIR-sensor	Turns automatically to full speed and light on when any movement
9.001.020.201	Signals for external ventilation system	Includes potential-free contact
9.001.020.202	3-sensor option with pressure switch	Requires signals for external ventilation

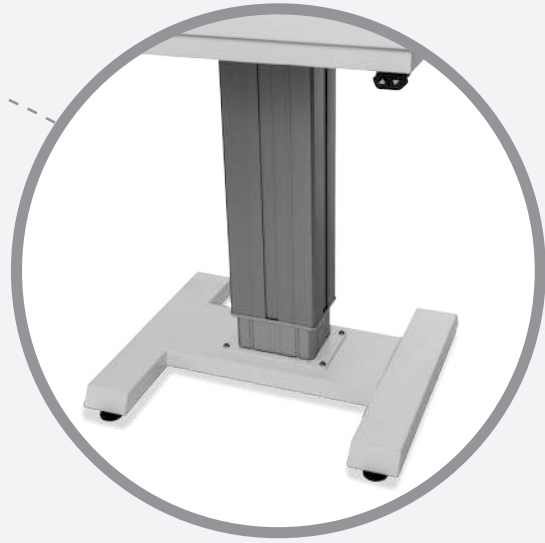


ELECTRICALLY OPERATED elevation stand - available as an option

KEY FEATURES

Gives a comfortable and correct posture for the operator when either seated or standing for long periods.

- ✓ Elevation from 75 cm work height to 105 cm
- ✓ Strong vibration free
- ✓ Can be mounted with castors
- ✓ Compact



TECHNICAL SPECIFICATIONS

Technical Specifications	Titan	Titan PCR	Atlas Basic	Atlas Pro	Atlas Duct	Sirius
CAT NO	9.100.010.001	9.100.010.011	9.100.010.112	9.100.010.113	9.100.010.111	9.002.000.072/9.002.001.072
MATERIAL						
TABLE TOP				« Stainless steel 304 »		
CABINET				« Powder coated steel »		
WINDOWS UV RESISTANT				« Polycarbonat »		
WINDOW OPENING (WxH) MM	625 x400	625 x 400	625 x 400	625 x400	625x400	690 x 200 2 x Ø25 holes
EXTERNAL DIMENSIONS (DxWxH) MM			« 340x627x991(ex:1075) »			600x690x1266(ex:1322)
WORKING CHAMBER (DxWxH) MM			« 296x573x516 »			457x687x654
DOWN FLOW, M/S						
EXHAUST AIR M ³ /H	0,28	0,28	-	-	-	0,25
ENERGY CONSUMPTION/EFFECT A	0,2	0,2	0,2	0,2	0,2	0,4
SOUND LEVEL DB(A) 49	49	49	46	46	46	54
LIGHT LEVEL LUX	-	700	700	700	700	700
HEPA FILTER, EN 1822, H-14 99,995% MPPS	✓	✓	✗	✓	✓	✓
CARBON FILTER		0	0	yes	yes	no option
WEIGHT, KG	25	25	25	35	25	100
VOLTAGE				« 230 Volt/ 50-60 Hz »		



LABOGENE™
Scandinavian by Design

LaboGene ApS
Industrivej 6-8
DK-3540 Lyngø

Tel (+45) 3940 2566
Fax (+45) 4498 1741
Mail info@labogene.com
Web www.labogene.com

